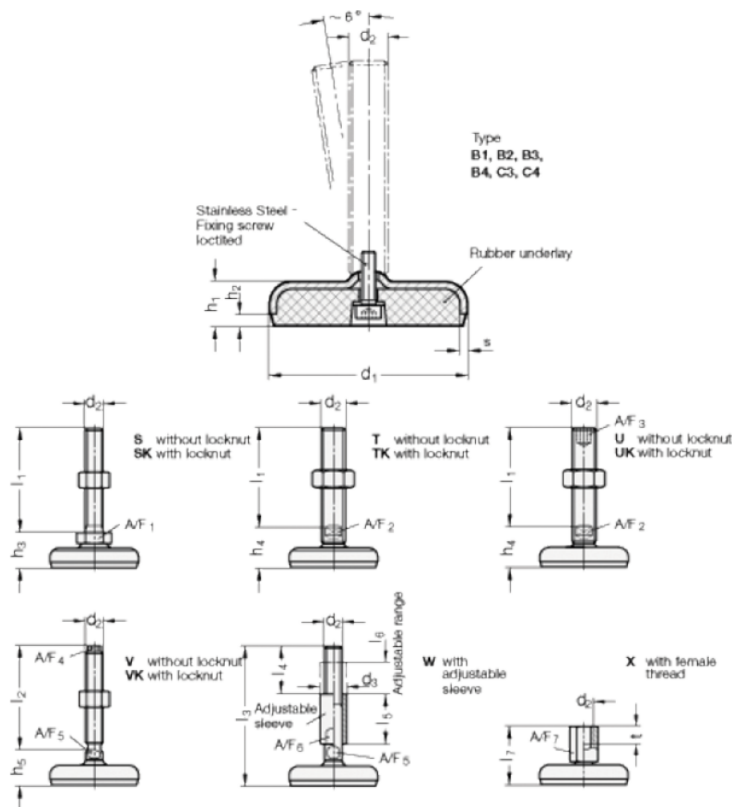


Article number: 203180M16150B2W

Description: E+G levelling foot
GN 31-80-M16-150-B2-W

Note: W With adjustable sleeve , Hygienic Version, Wrench flat at the bottom

Measures



| | |
|-----------|-----------------|
| A/F5 = 12 | l3 +4.0/0 = 150 |
| A/F6 = 20 | l4 = 45 |
| d1 = 80 | l5 = 45 |
| d2 = 16 | l6 = 29 |
| d3 = 24 | s = 3 |
| h1 = 18 | |
| h2 = 5 | |
| l1 = 150 | |